

Title: Instance and Occurrence Properties in flat Designs

Product: OrCAD Capture and Allegro DE CIS

Summary: How to remove the not needed Occurrence Properties.

Author/Date: Beate Wilke / 26.04.2011

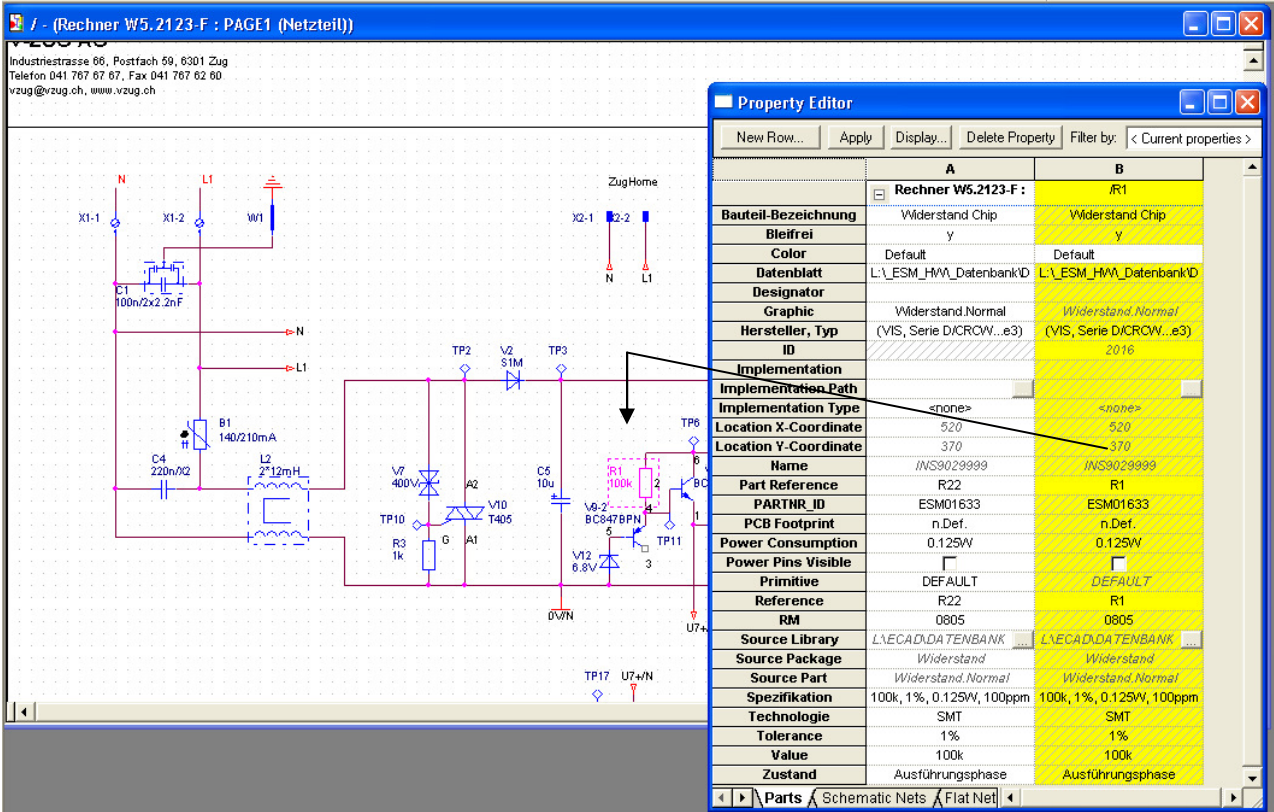
---

## Table of Contents

Table of Contents .....	1
1 Introduction .....	2
1.1 Instance column (white) is correct .....	3
1.2 Occurrence column (yellow) is correct .....	4

# 1 Introduction

Sometimes you have yellow columns in Property Editor of flat designs. These yellow columns show occurrence property value for the properties.



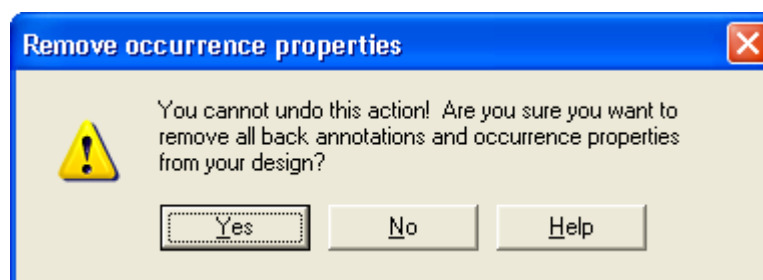
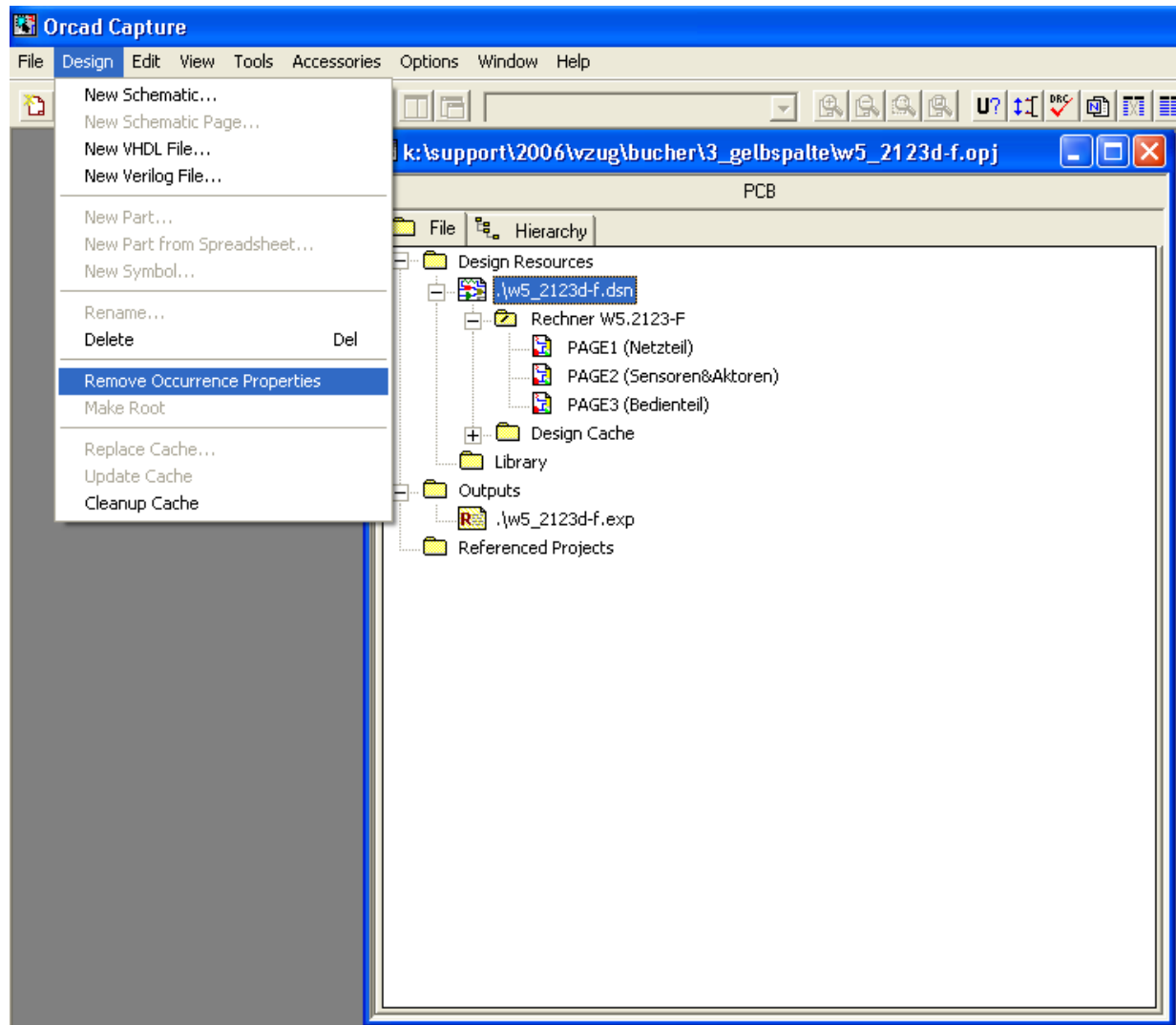
Occurrence properties are normally used, if you have hierarchical designs with complex structures. If you don't know what exactly are hierarchical designs with complex structures, don't worry. They are used only by a few users. If you are interested, please contact your local support center.

In the picture you see an example part. It has two values for Reference. R22 is the instance value and R1 is the occurrence value. Depending on your choice which value is correct you can use one of the following solutions to delete the not needed occurrence property.

## 1.1 Instance column (white) is correct

You can delete occurrence property with this solution:

- Select \*.dsn file in project view
- Go to menu Design > Remove Occurrence properties

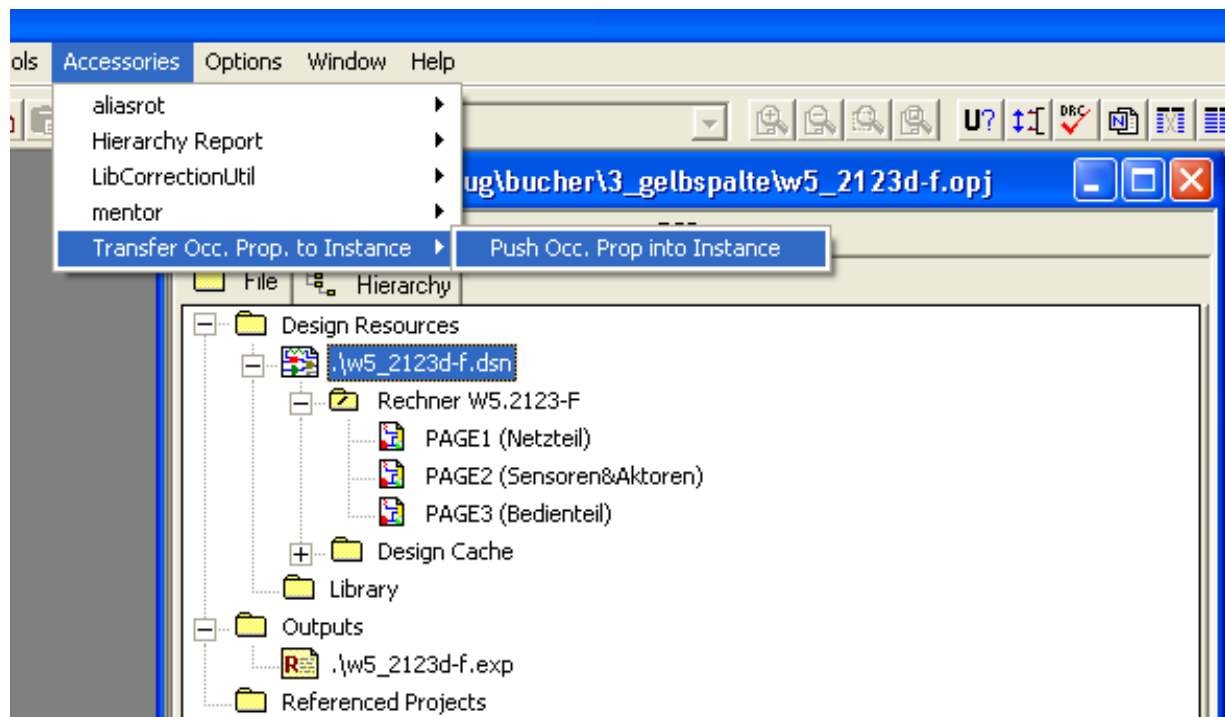


Click Yes, the yellow column has been deleted and only the white (instance) and correct column is still there.

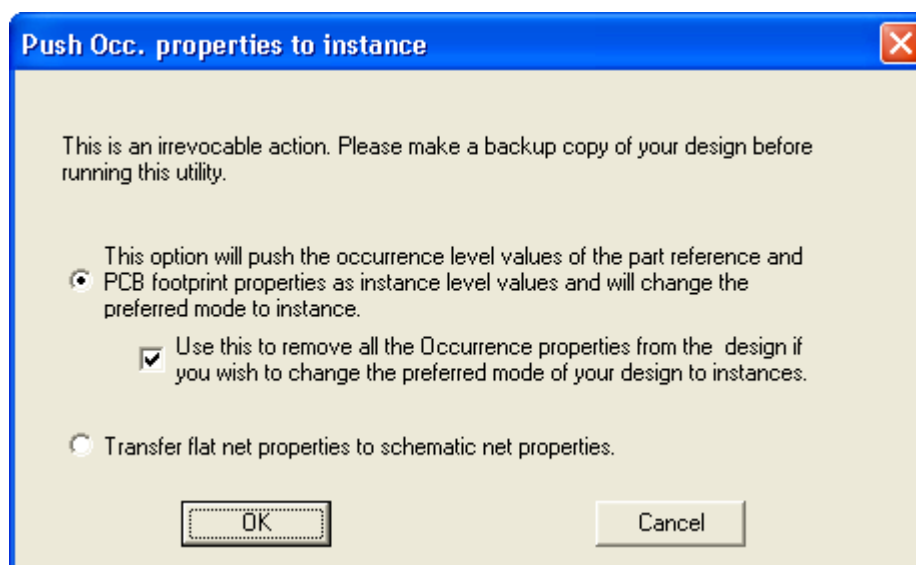
## 1.2 Occurrence column (yellow) is correct

You can move the values from occurrence (yellow) column to instance (white) column and delete occurrence column with this solution:

- Select \*.dsn file in project view
- Go to menu Accessories > Transfer Occ. Prop to Instance > Push Occ. Prop into Instance



Enable the shown radio button and click OK



All occurrence values are moved to instance and replace instance properties. Occurrence column has been deleted.